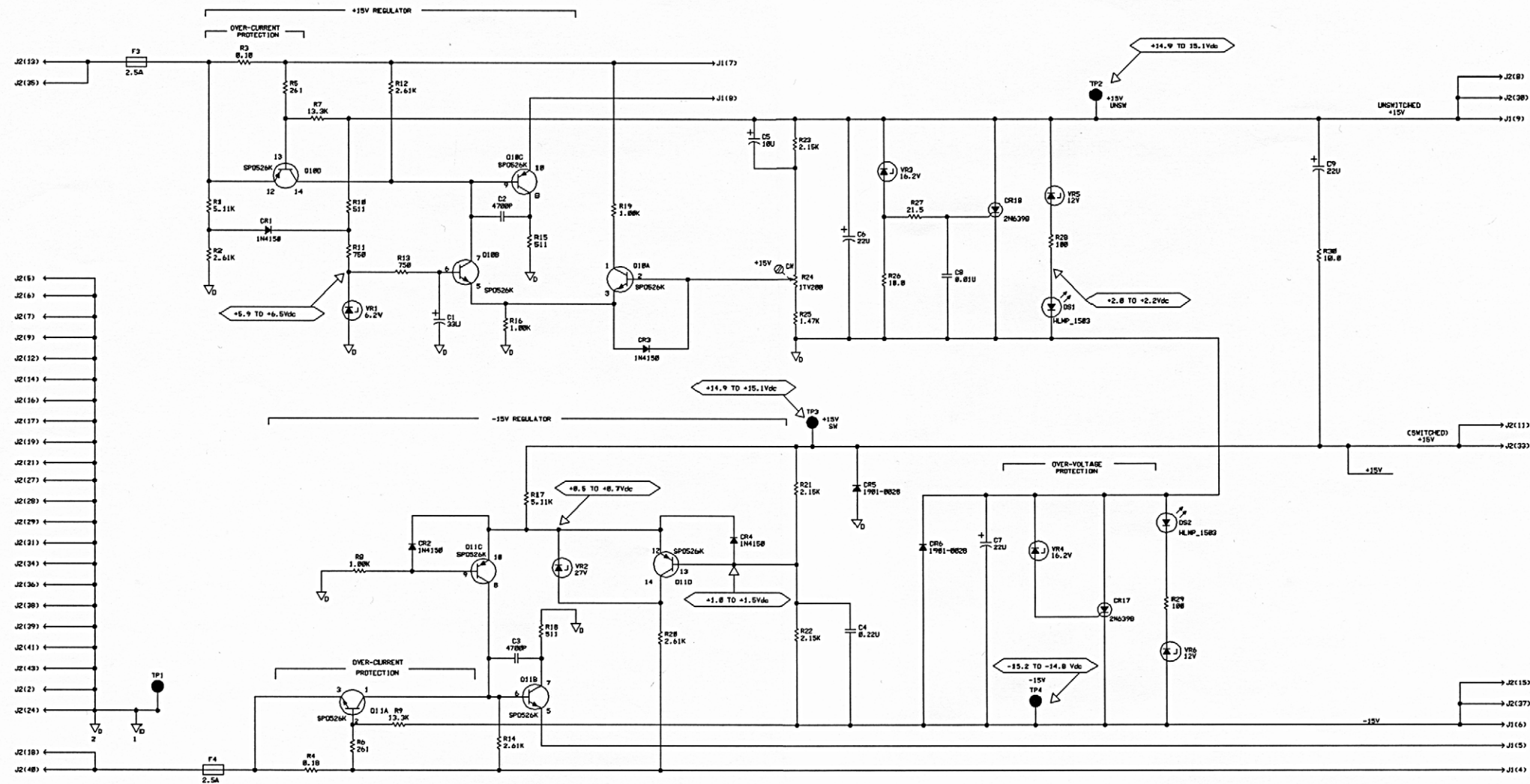


REV	DESCRIPTION	APPROVED	DATE
A	AS ISSUED PER PCO 10-6128	D. WHITCOMB/CAP	10/18/90
B	012 IS 1853-0584 PER PCO 10-7032	K. KASHI/CAP	05/07/92
C	02 IS 1854-1335 PER PCO 10-8522	R. BIEZE/BP	01/23/95



- J2(123)
- J2(125)
- J2(15)
- J2(16)
- J2(17)
- J2(12)
- J2(13)
- J2(14)
- J2(17)
- J2(18)
- J2(19)
- J2(21)
- J2(23)
- J2(27)
- J2(28)
- J2(29)
- J2(31)
- J2(34)
- J2(36)
- J2(38)
- J2(39)
- J2(41)
- J2(43)
- J2(12)
- J2(24)
- J2(18)
- J2(48)

HP PROPRIETARY
 THIS DOCUMENT CONTAINS CONFIDENTIAL, PROPRIETARY INFORMATION THAT IS HEWLETT-PACKARD (HP) PROPERTY. DO NOT DISCLOSE TO OR DUPLICATE FOR OTHERS EXCEPT AS AUTHORIZED BY HP.

DO NOT SCALE THIS DRAWING
METRIC
 UNLESS OTHERWISE SPECIFIED
 • DIMENSIONS ARE IN MILLIMETERS
 • THIRD ANGLE PROJECTION
 • TOLERANCES
 XX.XX ± 0.02
 XX.XX ± 0.05
 ALL ± 0.10
 • ADHERENCE TO QMG A-091-1561-1 (CO. STD. SECTION 600) REQUIRED
 STRIKE OUT OR FILL IN AS NEEDED
 SUPERSEDES QMG.

ITEM	QTY.	PART/MATERIAL-DESCRIPTION	NAT'L-PART NO.	NAT'L-DWG. NO.	NAT'L-SPEC.
DRAWN BY CAROL PIROLO DATE 07AUG90					
ENGINEER/CHECKER DAVE WHITCOMB DATE 07AUG90					
RELEASE TO PROD. DAVE WHITCOMB DATE 18OCT90					
SCHEMATIC POWER SUPPLY REGULATORS ASSEMBLY			HEWLETT PACKARD		
TITLE			PART NUMBER 08901-60311		
SCALE			SHEET 1 OF 2		
D-08901-60311-S					